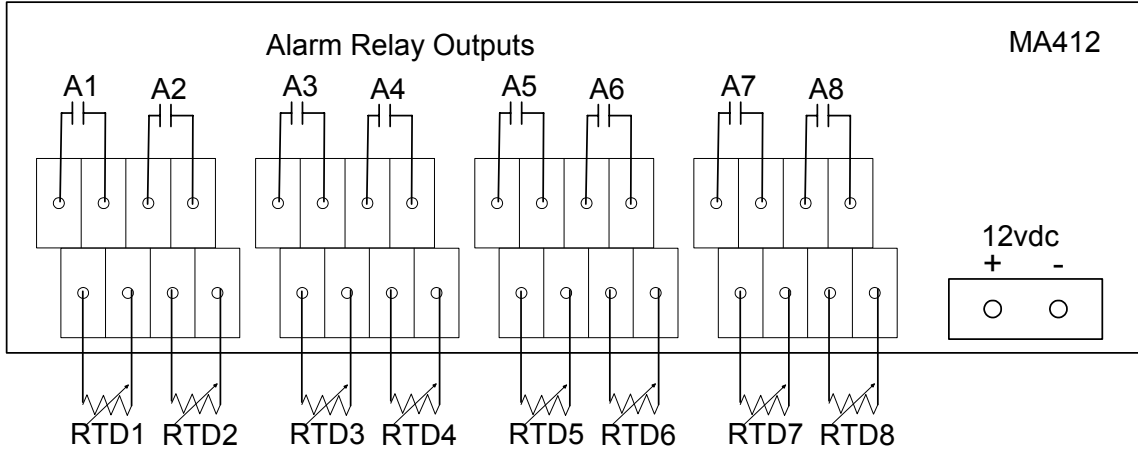


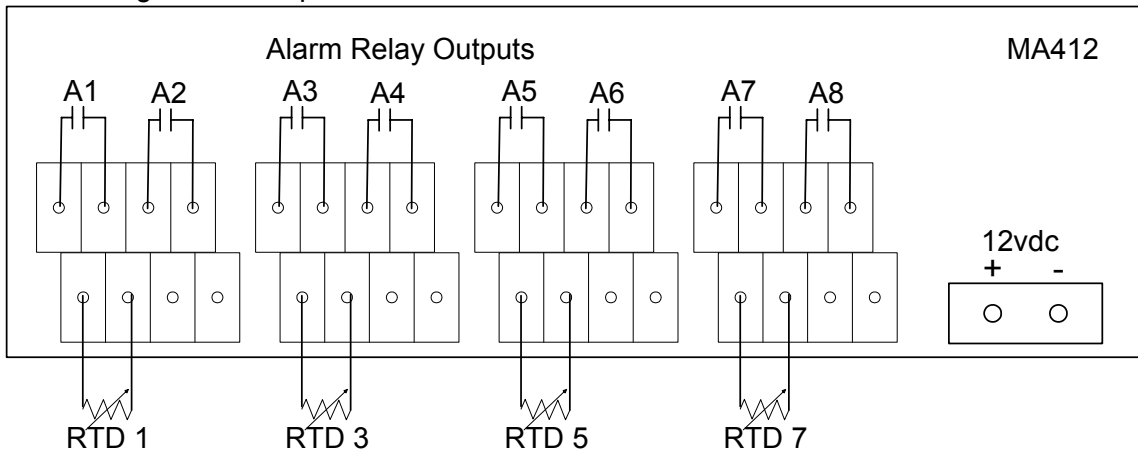
MA412 Temperature Monitor and Alarm

Monitoring 8 Sensors



Monitor 5 to 8	Alarm Relay	Function
	A1	RTD 1 Upper or Lower Limit or Open or Short Circuit
	A2	RTD 2 Upper or Lower Limit or Open or Short Circuit
	A3	RTD 3 Upper or Lower Limit or Open or Short Circuit
	A4	RTD 4 Upper or Lower Limit or Open or Short Circuit
	A5	RTD 5 Upper or Lower Limit or Open or Short Circuit
	A6	RTD 6 Upper or Lower Limit or Open or Short Circuit
	A7	RTD 7 Upper or Lower Limit or Open or Short Circuit
	A8	RTD 8 Upper or Lower Limit or Open or Short Circuit

Monitoring 1 to 4 Temperature Sensors



Wire the four sensors to RTD inputs 1, 3, 5, 7

Monitor 1 to 4

Alarm Relay	Function
A1	RTD 1 Upper Limit or Open Circuit
A2	RTD 1 Lower Limit or Short Circuit
A3	RTD 2 Upper Limit or Open Circuit
A4	RTD 2 Lower Limit or Short Circuit
A5	RTD 3 Upper Limit or Open Circuit
A6	RTD 3 Lower Limit or Short Circuit
A7	RTD 4 Upper Limit or Open Circuit
A8	RTD 4 Lower Limit or Short Circuit