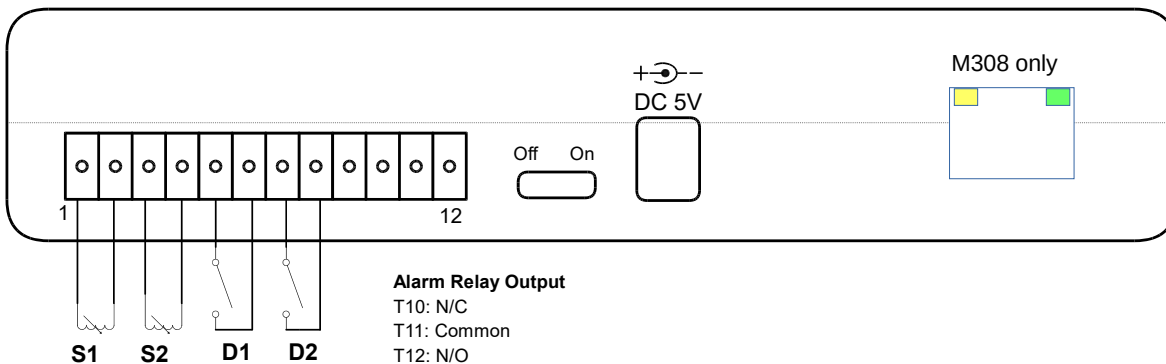


Getting Started with the M308 Wired Ethernet Monitor

M308/M309

Wiring Diagram (side view of enclosure)

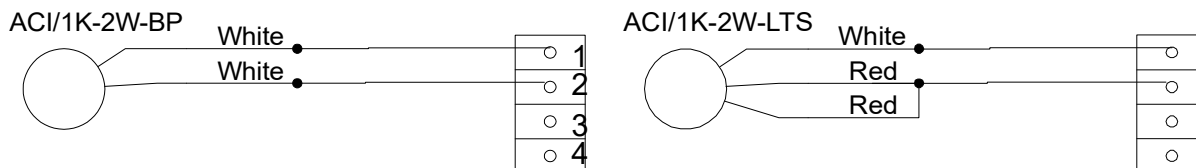


Installation

Test by turning on without the AC adapter to make sure batteries did not dislodge during shipping.

Mount the M308 in a location convenient to power and the environment to be monitored. Connect temperature and door sensors as needed (see diagrams below)

Sensor wiring examples:



Download and install the Data Capture software

1. Download and install the latest version of Data Capture from <http://www.temperatureguard.com/software>

Reset to DHCP/Defaults

Turn unit off with the power switch. Hold the Cancel Alarm button while turning it back on. LCD will say "Release Push button". Release before the countdown and the unit will say "Set to Defaults? No". Press and release the cancel alarm button to toggle the No to a Yes and let the unit finish rebooting. Unit will now be in DHCP mode. This actually resets the network adapter to defaults.