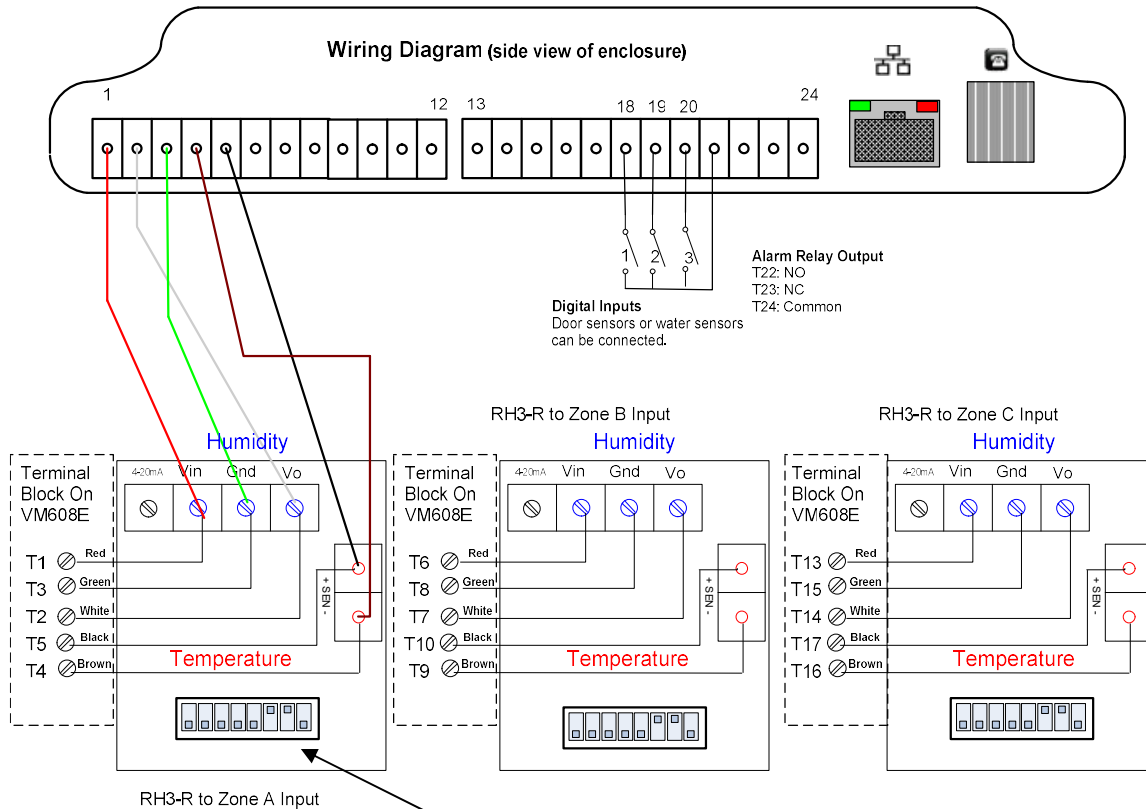


Temperature Guard

Computer Room Guard

Model VM608E

Model VM608 (phone only)



If humidity reading is way off or not recognized, check to make sure dip switches 6 and 7 are in the up position.

The terminal blocks on the front of the enclosure are removable. To remove a terminal block pull straight out.

R, RH3-R, SP, BP2, LTS Sensors

The VM608E was designed for the RH3-R sensor, but it can handle a wide variety of sensors. There is no reason you could not monitor your server room, an incubator, and a -80°C freezer with the same unit. If you have a need to monitor other parameters such as CO₂ please ask.

Digital Inputs

The digital inputs connect to magnetic door sensor part # DR or water sensor part # WTR. The inputs could also accept wiring from the dry contact terminals of a commercial refrigerator or freezer's alarm output or any other dry contact without voltage present.

Surge Protection

It is recommended that a surge suppressor be used for the wall plug power adapter and the phone line.

