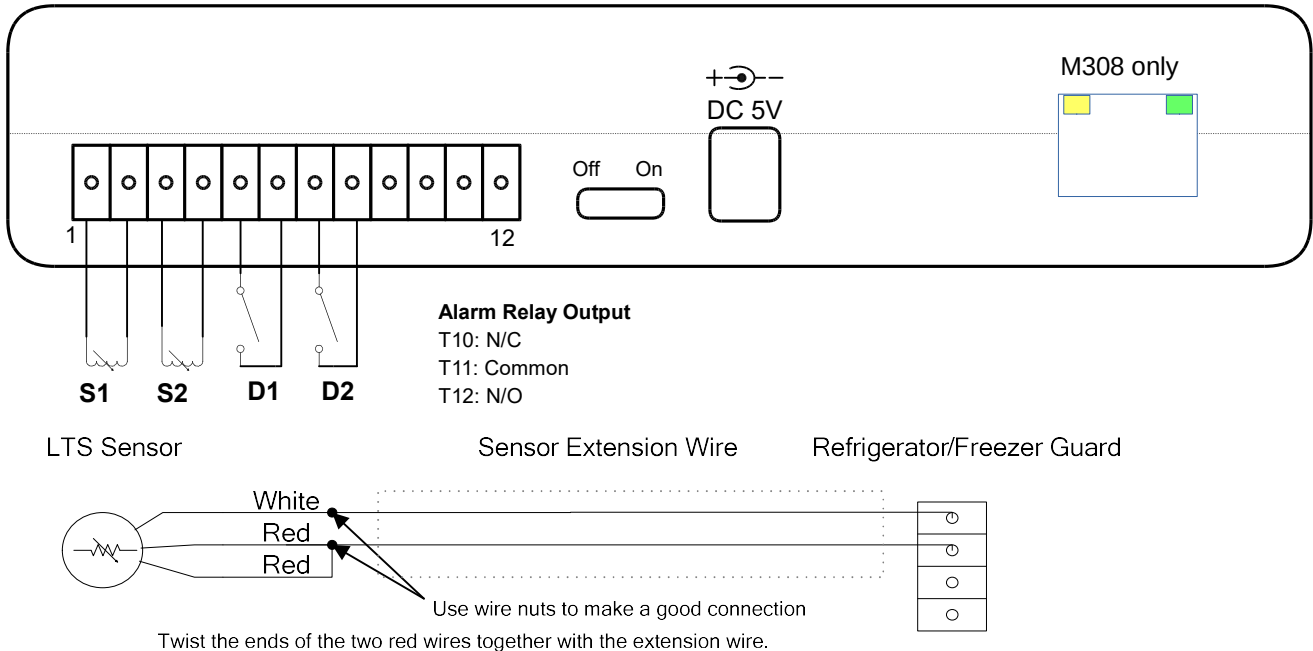


## M308/M309

### Wiring Diagram (side view of enclosure)



The terminal block on the front of the enclosure is removable. To remove a terminal block pull straight out.

### SP, BP2, LTS, BP-V, or BP2-G Temperature Sensors

Install the sensor in the refrigerator or freezer. Pass the wires through an access hole and run the two conductor cable to the M308 or M309. If no access hole is available, contact the manufacturer of the freezer and have them specify a location to drill a small access hole, or consider purchasing one of our flex kits. Locate the sensors to yield an average temperature. Avoid placing sensors in air streams or on the wall of the refrigerator or freezer. The RTD sensor wires can be extended as required up to 700'.

### Door Inputs

The door sensor inputs connect to magnetic door sensor part number DR. The normally closed sensors detect when a refrigerator or freezer door has opened. Multiple sensors can be wired in series to monitor multiple doors.

### Surge Protection

It is recommended that a surge suppressor be used for the wall plug power adapter.