

COMPUTER ROOM GUARD™

- ◆ You need to safeguard the temperature and humidity sensitive contents of your computer room/network closet.
- ◆ You must be notified immediately, day or night if an air conditioner malfunctions, condensers leak or power fails.
- ◆ **The Computer Room Guard is the perfect solution!**
- ◆ The Computer Room Guard monitors temperature, humidity, dry contacts, water and power.
- ◆ The Computer Room Guard will call and alert you if the temperature or humidity goes out of limits, a door is left open, water is detected or the power fails.
- ◆ The Computer Room Guard utilizes a high quality natural sounding voice to report problems with your refrigerators or freezers.



Features

- Monitor up to four zones. One built in sensor (temperature and humidity) and three external.
- Program high and low limits and an out of limits time delay for each sensor.
- The three dry contact inputs can be used to monitor doors, water or the output relay of another device.
- Program the Computer Room Guard easily and conveniently over the telephone following voice instructions, or with our Data Capture software. Programming is password protected.
- The buzzer and alarm relay output are used to alert onsite staff when a problem occurs so they can take immediate action.
- View real time Computer Room status on the LCD display.
- The twenty hour rechargeable battery backup allows the temperature to be monitored during a power loss.
- No need to install additional phone lines, the Computer Room Guard can share the phone line with faxes and other devices.
- Maintain temperature records in electronic format with the VM608E.

The Computer Room Guard makes solving problems quick and easy:

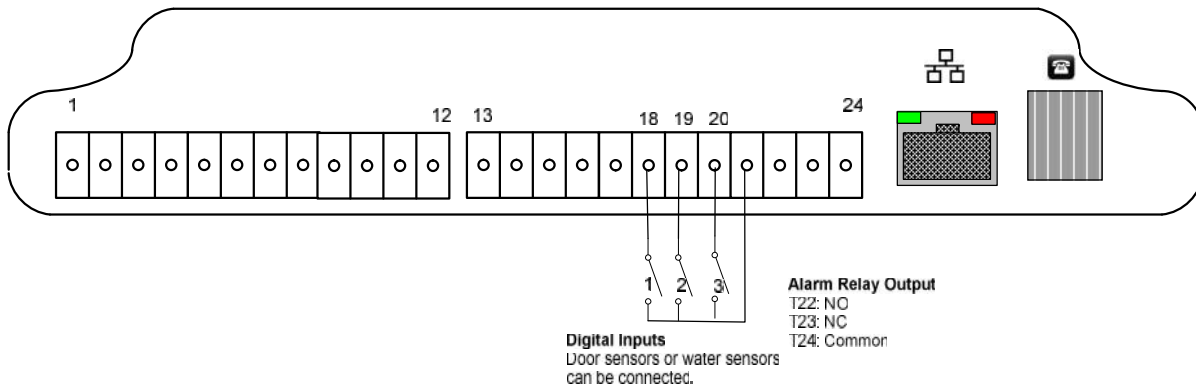
- The programmable Callout Time Delay gives local personnel time to react before alarm notification phone calls are made.
- Receive a phone call or pager message if the temperature goes out of limits, a door is left open, water is detected or if there is a power failure.
- The recordable Unit Identification Message quickly identifies the location of the Computer Room Guard.
- The recordable Sensor Identification Message allows personnel to easily locate the problem area.
- The Alarm Reminder Time Delay repeats the alarm notification phone calls if a problem still exists after this programmable time has expired.

Specifications

Calibrated Temperature Range:	-148°F to 125°F, -100°C to 52°C (0.1° resolution)
Operating Temperature Range with RH3-R:	32°F to 125°F, 0°C to 52°C (0.1° resolution)
Calibrated Humidity Range:	2 point calibration at 25% and 50% (1% resolution +/- 3% accuracy)
Operating Humidity Range with RH3-R:	10%RH to 95%RH
Dry Contact Inputs:	3 @ 5VDC
Outputs:	
Relay:	SPDT 24VDC 1A contacts
Alarm Buzzer:	90 dB
Power Requirements:	120VAC at 50/60 Hz wall mount transformer (included)
Electrical Connections:	2 Pluggable 12 position terminal blocks
Enclosure Material:	Flame retardant ABS plastic, 94-5VA
Dimensions:	Enclosure: 5.0" x 7.5" x 1.75" (W x L x H) Keyhole Mounting Holes: 3.937" (10 cm) between holes
Ambient Operating Conditions:	32°F to 122°F
Shipping Weight:	3 lbs
Agency Compliance:	FCC Approved and Registered, power supply is UL listed

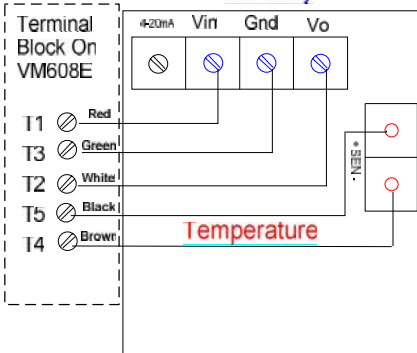
VM608E

Wiring Diagram (side view of enclosure)



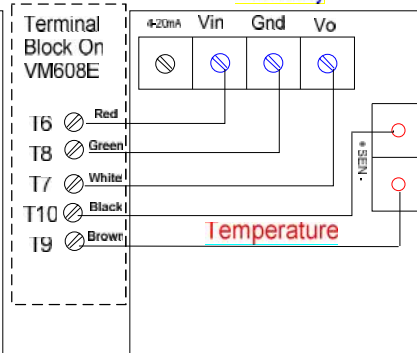
RH3 to Zone 1 Input

Humidity



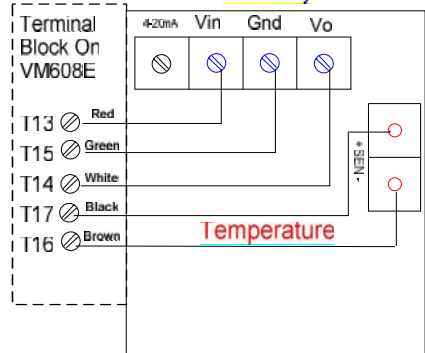
RH3 to Zone 2 Input

Humidity



RH3 to Zone 3 Input

Humidity



User Programmable Features

Number of programmable emergency phone numbers: 8

Number of digits for each phone number: 20

Number of digits for the Local ID which is displayed when calling a pager: 20

Recording time for the Local Identification message: 8 seconds

Programmable range of incoming rings before the Refrigerator/Freezer Guard answers: 1 to 20

Number of digits in programmable PIN: 4

Programmable time delays: 0 to 900 minutes

COMPUTER ROOM GUARD MODEL VM608E

- ◆ You need to receive alarm emails to notify you if your Computer Room Guard detects a problem.
- ◆ You need to maintain a log file of the data collected from your Computer Room Guard.
- ◆ With the VM608E Computer Room Guard and a PC you can set up a complete monitoring and alarming solution. A PC running our Data Capture software can send emails and sms messages detailing the problem so you can quickly take corrective actions to avoid an expensive loss of property.
- ◆ The Data Capture software automatically collects and maintains a log of the data obtained from your Refrigerator/Freezer Guard.

Features

- View real time data.
- View historical data.
- Automatically sends alarm emails (via the computer) to key personnel that specifies the exact location and cause of the problem.
- Maintains secure data log files for all data.
- Easily create and print graphs over specified time periods for any data.
- Remotely check the real time status with a web browser.
- Program limits remotely.

Specifications

LAN: Ethernet 10Base-T or 100Base-TX (Auto-Sensing)

Transport Protocol: TCP/IP, UDP

Connector RJ45

EMI Compliance: Radiated & conducted emissions - complies with Class B limits of EN 55022:1998

Direct & Indirect ESD - complies with EN55024:1998

RF Electromagnetic Field Immunity - complies with EN55024:1998

Electrical Fast Transient/Burst Immunity - complies with EN55024:1998

Power Frequency Magnetic Field Immunity - complies with EN55024:1998

RF Common Mode Conducted Susceptibility - complies with EN55024:1998

LED Indicators: 10Base-T connection

100Base-TX connection

Link & activity indicator - Full/half duplex

Ambient Operating Conditions: 32°F to 125°F

Combination Temperature and Humidity Sensors(RH3)

RH3 sensors need to be wired with 5 conductor cable.

Temperature Sensors (SP, BP, BP-V, LTS, LTS-V)

Temperature sensors are located in the refrigerator, freezer, or cooler and connected to the Refrigerator/Freezer Guard via a two conductor cable. Locate the sensors to yield an average temperature. Avoid placing sensors in air streams. The wiring can be extended as required. For distances under 250 feet using 22 AWG two conductor cable or CAT5e cable is recommended. For distances over 250 feet, a larger wire is recommended. Please contact sales for advice on long cable runs.

Dry Contact Inputs

Connect normally closed magnetic or limit switches to refrigerator/freezer doors. Any number of magnetic switches can be connected in series. Our WTR water sensor can be used as well.