

Getting Started with the M307 Wireless Ethernet Monitor

The M307 can operate in wireless Ethernet 802.11 b/g/n only. A smart phone, laptop, or tablet is required to get it on your wireless network.

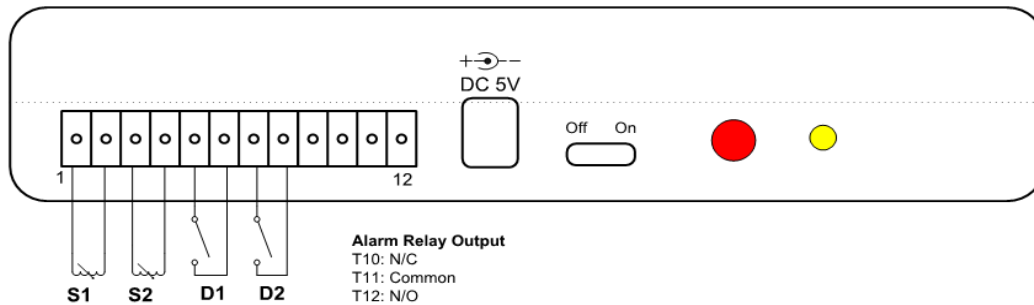
Install the M307

Install the batteries into the unit. See picture below.

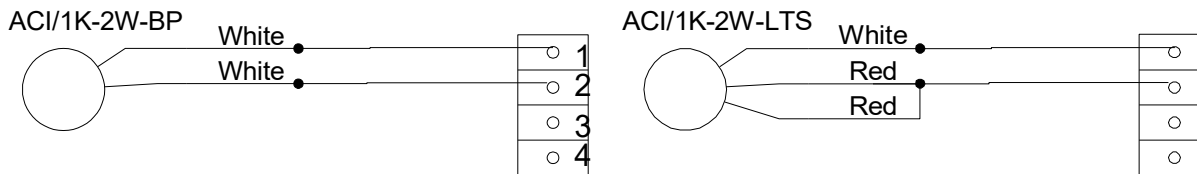
Mount the M307 in a location convenient to power and the environment to be monitored. Connect temperature and door sensors as needed (see diagrams below)

M307

Wiring Diagram (side view of enclosure)



Sensor wiring examples:



Download and install the Data Capture software

1. Download and install the latest version of Data Capture from <http://www.temperatureguard.com/software>
2. Wireless Setup Manual and other documents <https://www.temperatureguard.com/m307>

Battery Installation

Positive to the left.

