

Temperature Monitor & Alarm - MODEL MA412



Features

- Simultaneously monitor up to eight (8) temperature sensors.
- Programmable low and high limit for each sensor.
- Programmable defrost time delay for each sensor.
- Trigger eight (8) individual “out of limits” alarm relays.
- Or monitor up to four temperature sensors with a distinct low limit alarm relay and high limit alarm relay for each sensor.
- All programmed values are stored in permanent memory. No batteries to replace.
- Integrated display quickly highlights critical data.
- Local alarm cancellation. If enabled, users can inhibit alarm signals for 20 minutes by clearing alarms onsite.
- Self monitoring. If the sensor connection opens or short circuits, alarm contacts are activated.
- Easily integrates with alarm panels via alarm relay’s isolated contacts.
- Compatible with numerous temperature sensor probes to suit your application. From cryogenic freezer sensors to room temperature sensors for sensitive electronics.
- Individual sensor offset calibration.

Device Specifications

Inputs:

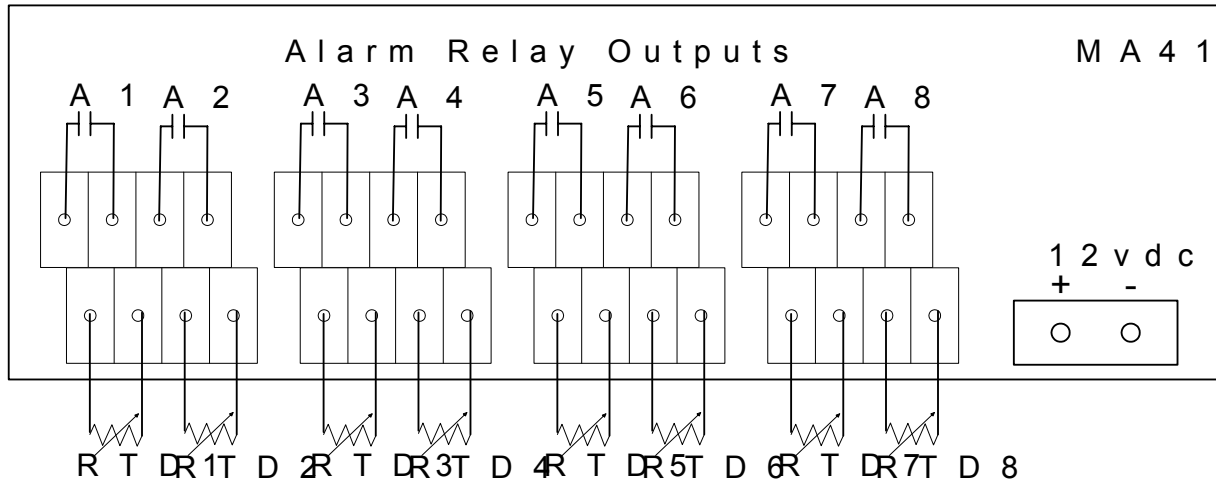
Temperature Inputs:	Eight (8)
Measuring Range:	-148°F to 212°F, -100°C to 100°C
Low/High Limit Range:	-148°F to 212°F, -100°C to 100°C
Defrost Time Delay Range:	0 to 999 minutes
Measurement Resolution:	1°F
Temperature Sensor Type:	RTD: 2 wire (1000 ohm, Platinum, .00385 TCR)

Outputs:

Alarm Relays:	Eight (8)
Relay Type:	Isolated, SPST-NO Form A, Configurable Alarm State
Relay Rating:	1.0A 30VDC, 0.5A 125VAC

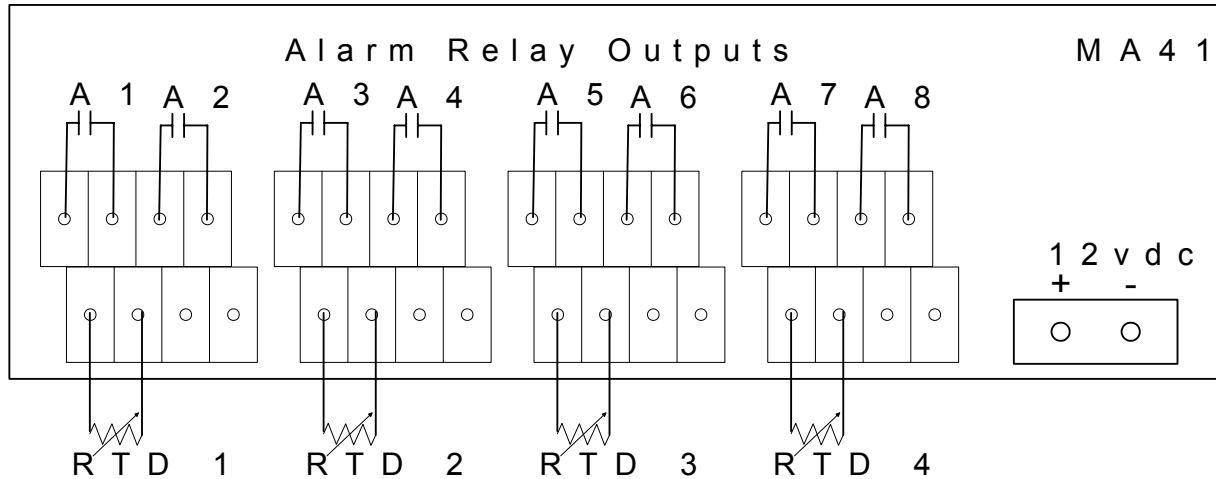
Power Requirements:	12VDC 200mA
Electrical Connections:	Four, two level terminal blocks
Board Dimensions:	5.625” x 4.250”
Ambient Operating Conditions:	32°F to 125°F
Shipping Weight:	0.8 lbs.

Monitoring 8 Sensors



Alarm Relay	Function
A1	RTD 1 Upper or Lower Limit
A2	RTD 2 Upper or Lower Limit
A3	RTD 3 Upper or Lower Limit
A4	RTD 4 Upper or Lower Limit
A5	RTD 5 Upper or Lower Limit
A6	RTD 6 Upper or Lower Limit
A7	RTD 7 Upper or Lower Limit
A8	RTD 8 Upper or Lower Limit

Monitoring 1 to 4 Temperature Sensors



Alarm Relay	Function
A1	RTD 1 Upper Limit
A2	RTD 1 Lower Limit
A3	RTD 2 Upper Limit
A4	RTD 2 Lower Limit
A5	RTD 3 Upper Limit
A6	RTD 3 Lower Limit
A7	RTD 4 Upper Limit
A8	RTD 4 Lower Limit